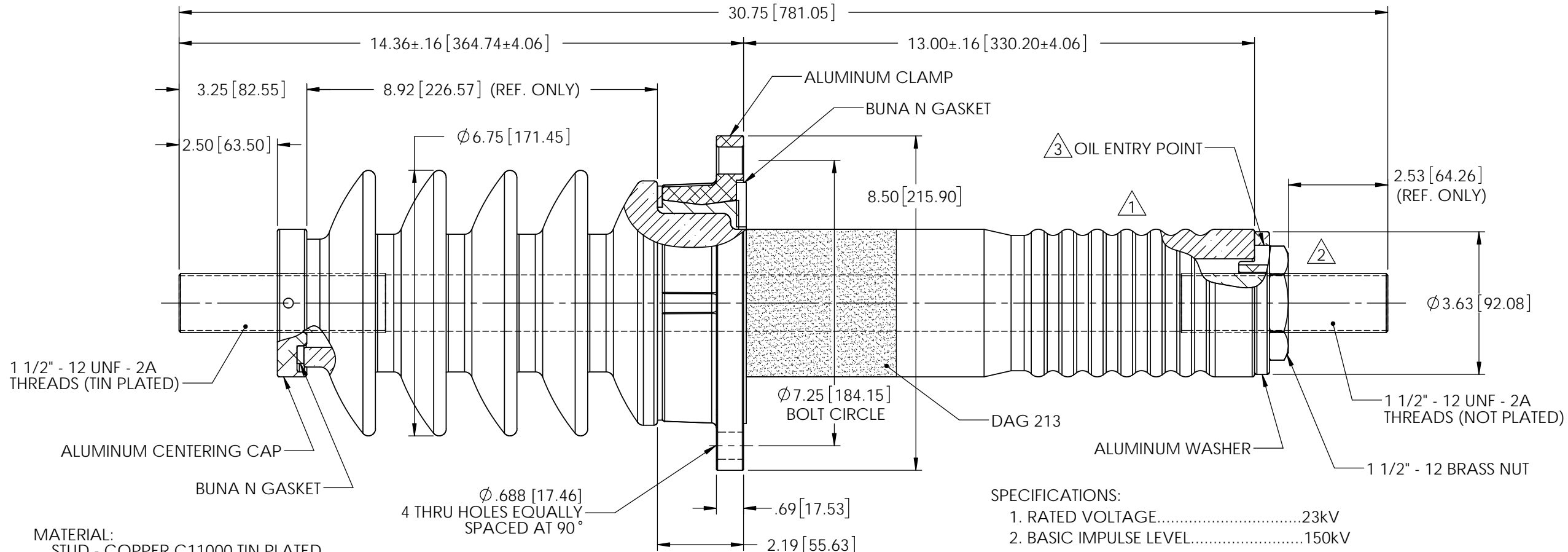


REVISIONS					
REV.	DATE	ECN #	DESCRIPTION	BY	APPROVED
1	7/8/2009	HJ09-118	CHANGED PORCELAIN FROM AS-1468-05 TO AS-1603-01P.	JH	JFS
2	9/15/2016	HJ16-072	REMOVED JAM NUT.	CJT	BB
3	7/22/2020	PQI7758	ADDED NOTES 1 THRU 3, OIL ENTRY NOTE, AND REVISED DESCRIPTION.	CJT	LO



1 1/2" - 12 UNF - 2A
THREADS (TIN PLATED)

ALUMINUM CENTERING CAP

BUNA N GASKET

MATERIAL:
STUD - COPPER C11000 TIN PLATED
CAP - ALUMINUM
CLAMP - ALUMINUM

PORCELAIN NOTES:
1. WET PROCESS ELECTRICAL PORCELAIN.
2. GRAY GLAZE MUNSELL 5BG 7.0/0.4
3. TOLERANCE ±3% WITH NOTHING LESS THAN ±.03", UNLESS OTHERWISE NOTED ON DRAWING.

△3 NOTES:
1. SHANK TO FIT INTO Ø4-1/4" TANK HOLE
2. FOR HORIZONTAL OR VERTICAL MOUNTING
3. MIN COLD OIL LEVEL - 4" UP SHANK

SPECIFICATIONS:
1. RATED VOLTAGE.....23kV
2. BASIC IMPULSE LEVEL.....150kV
3. NOMINAL CURRENT RATING.....1766 AMPS @ 1000A/SQ.-IN.
4. STRIKE DISTANCE.....9.63" [244.60mm]
5. CREEP DISTANCE(MIN.).....18.50" [469.90mm]
6. APPROXIMATE WEIGHT.....43.8 LBS

PROPRIETARY AND CONFIDENTIAL
THE INFORMATION CONTAINED IN THIS DRAWING IS THE SOLE PROPERTY OF H-J ENTERPRISES, INC. ANY REPRODUCTION IN PART OR AS A WHOLE WITHOUT THE WRITTEN PERMISSION OF H-J ENTERPRISES, INC. IS PROHIBITED.

TOLERANCES (EXCEPT AS NOTED)	
DECIMAL	X" = ±.1" .XX" = ±.06" .XXX" = ±.03"
ANGULAR	±1°



H - J ENTERPRISES, INC.
3010 HIGH RIDGE BLVD. HIGH RIDGE, MO. 63049 USA
PHONE 1-636-677-3421 FAX 1-636-376-1915

23kV 150kV BIL POWER BUSHING △3

MATERIAL (SEE DRAWING)		
CHK'D	APP'D	DRAWING NO.
		AS1602-001
DRAWN BY JH	DATE 4-17-09	SCALE N.T.S.